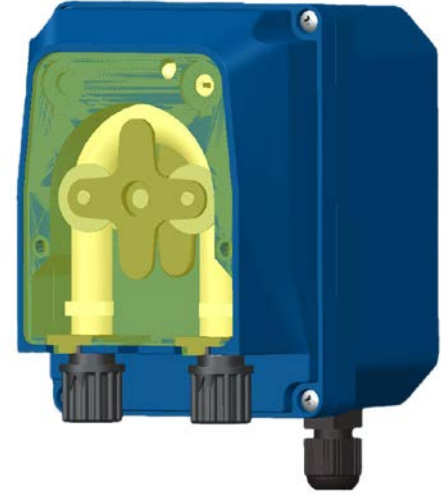


PERISTALTIC DOSING PUMP

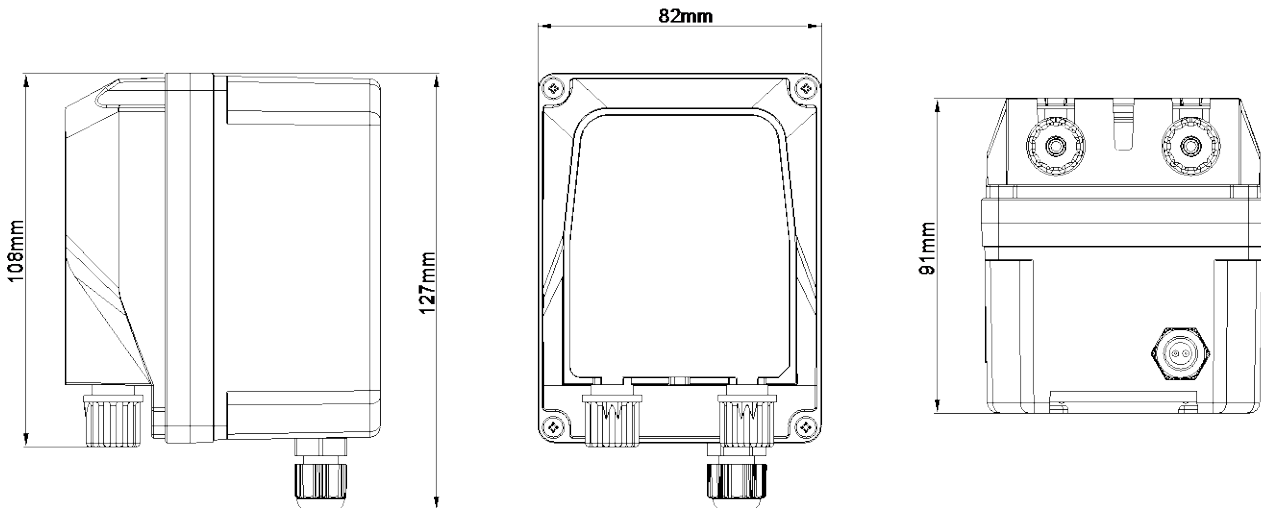
PPR

Seko SpA declares that the pump code PPR0004A1000_A has the following features:

CERTIFICATION	CE
TYPE	PPR
POWER SUPPLY	230 Vac 50/60 Hz
CONSUMPTION	3,5 W
PERISTALTIC TUBE MATERIAL	SANTOPRENE (6x10)
CC/REVOLUTION	2,5
FLOW-RATE	4 l/h
BACKPRESSURE	0,1 BAR
MPA	0,01
PSI	1,450
GPD	25,34
GPH	1,059
IP DEGREE	IP 65



DIMENSIONAL DRAWINGS



SEKO spa has taken all reasonable measures about the accuracy of this translation, but regrets that no responsibility can be accepted for any error, omission or inaccuracy. In case of doubt or dispute, as provided by the European Directive, only the original language text is valid.

Your Choice,
Our Commitment

Technical data can be changed without notice.
TD_PPR0004A1000_A_rev.1.0